

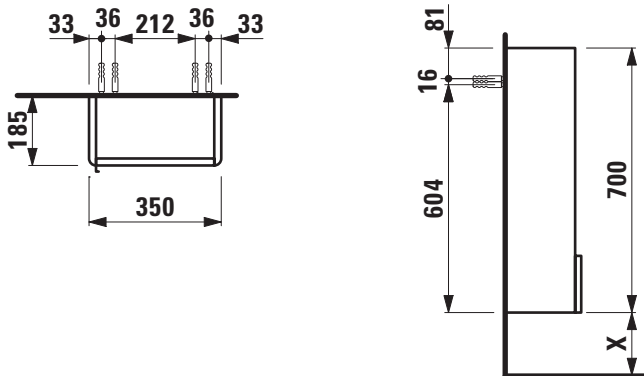


TECHNICAL DATA

Order no.	40260.2 / door hinge right
Dimensions (WxHxD)	350 x 700 x 185 mm
Specification	<p>Body/Front</p> <p>White matt: Body MDF with PVC foil (post-forming) Front MDF with PVC foil and ABS edges</p> <p>White glossy: Body MDF with PET foil (post-forming) Front MDF with PET foil and ABS edges</p> <p>Elm light/dark: Body particle board with CPL foil Front melamine coated particle board with ABS edges</p> <p>anodized aluminium handle bar 1 door (soft-close mechanism) 2 glass shelves (adjustable)</p>
Weight	10,5 kg
Mounting acc. incl.	Installation set for furniture, order no. 49302.1

Mounting information	The walls installed on must meet the requirements of the furniture in terms of weight and the supplied fastening elements. If this cannot be guaranteed another method of installation needs to be chosen.
Colours	260 – White matt 261 – White glossy 262 – Light elm 263 – Dark brown elm 999 – 39 other lacquered colours on request

TECHNICAL DRAWINGS / S 1 : 20



X = The exact height must be set during installation.