

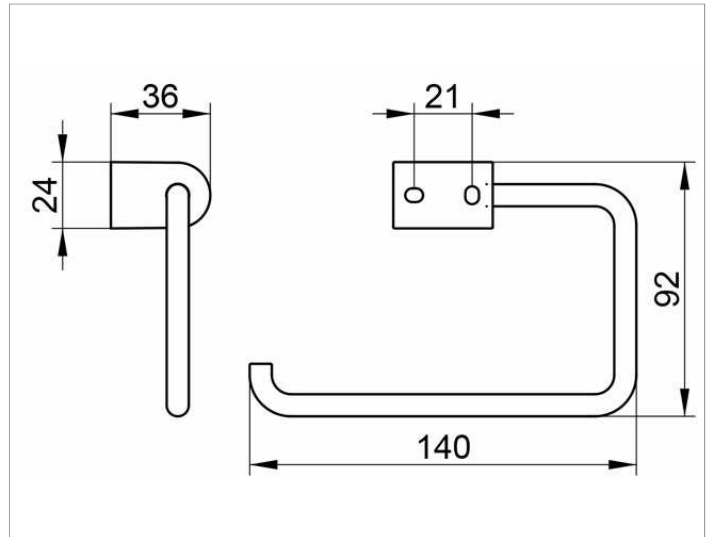
Smart.2

14762010000 Toilet paper holder

PRODUCT



DRAWING



PRODUCT ATTRIBUTES

open form
for 100/120 mm wide paper rolls

SURFACE

chrome-plated