

**Rebris E**  
**Single lever bidet mixer with pop-up waste set**  
 Surfaces: **Chrome** Article Number: **72211000**



## Description

### product features

- consists of: single lever bidet mixer, waste set
- projection 120 mm
- aerator with ball pivot
- spray type: normal spray
- maximum flow rate at 3 bar: 5 l/min
- ceramic cartridge
- temperature limitation adjustable
- suitable for continuous flow water heaters
- pop-up waste set G 1¼
- material waste set: synthetic
- connection type: G ¾ connections
- connection dimension: DN15

## Technology



## Design awards



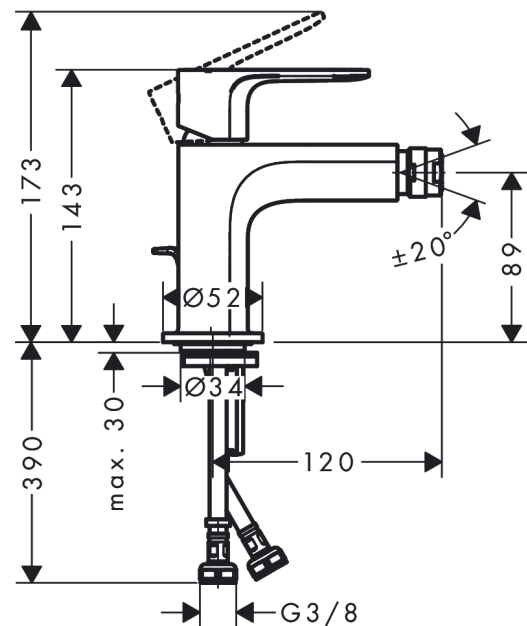
## Certificates



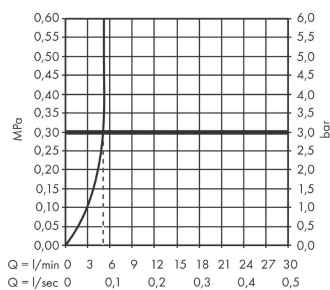
## Product image



## Scale drawing



## Flowchart

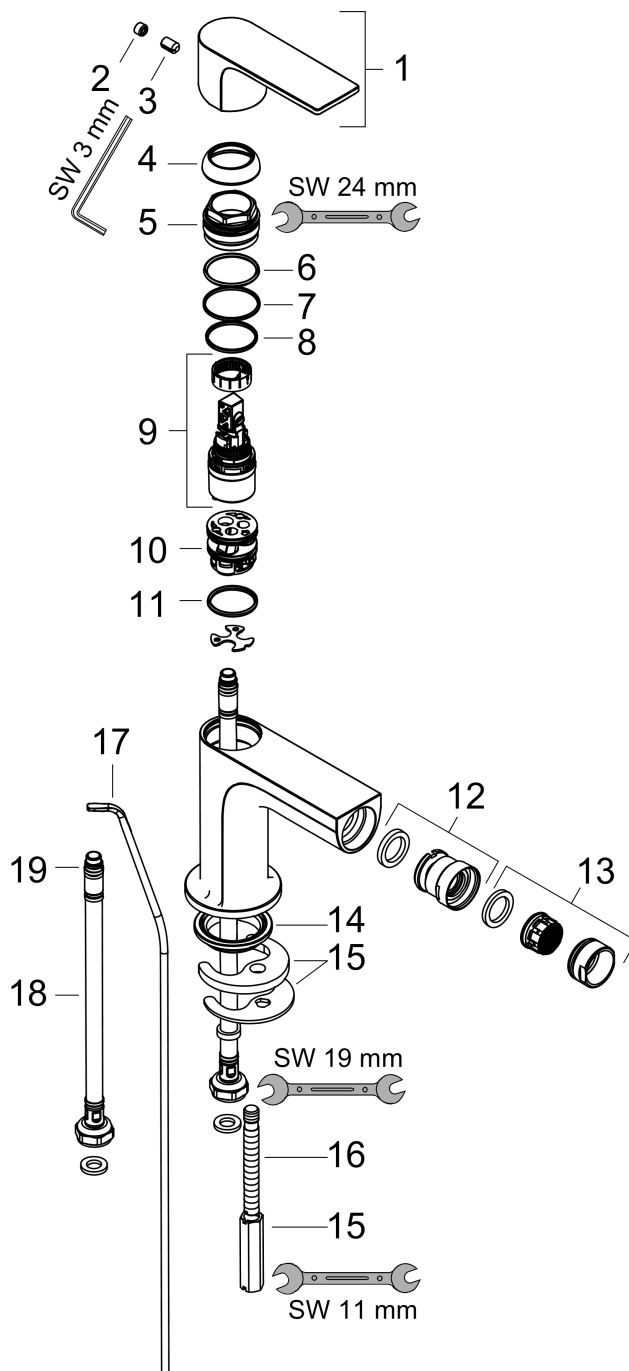


**Rebris E**  
**Single lever bidet mixer with pop-up waste set**  
 Surfaces: **Chrome**    Article Number: **72211000**



## Exploded Drawing

Year of production: >06/22



**Rebris E**  
**Single lever bidet mixer with pop-up waste set**  
 Surfaces: **Chrome** Article Number: **72211000**



**Spare part list**

Year of production: >06/22

Pos.	Description	Article Number	Price	PU
1	handle	94643000	€ 44,63	1
2	screw cover	95704000	€ 3,21	1
3	hollow set screw M6x10 DIN 916	96029000	€ 3,21	1
4	flange	98863000	€ 44,63	1
5	nut	98864000	€ 35,94	1
6	O-ring 24x2	98388000	€ 3,21	1
7	O-ring 27x1,5	92527000	€ 11,31	1
8	O-ring 25x1,5	98146000	€ 3,21	1
9	cartridge, assy	95973001	€ 70,57	1
10	adapter for cartridge	98866000	€ 28,20	1
11	O-ring 23x2	98398000	€ 3,21	1
12	ball joint	96050000	€ 35,94	1
13	aerator M24x1 (5 l/min)	92372000	€ 18,33	1
14	seal Ø 42	98722000	€ 5,24	1
15	fixing set	96016000	€ 28,20	1
16	screw M8 x 68	97736000	€ 5,24	1
17	connection hose 450 mm M8x0,75 G3/8	97206000	€ 28,20	1
18	O-ring 6,6x1,6	93019000	€ 3,21	1
19	pull rod	96657000	€ 11,31	1
a	pop up waste	94139000	-	1